

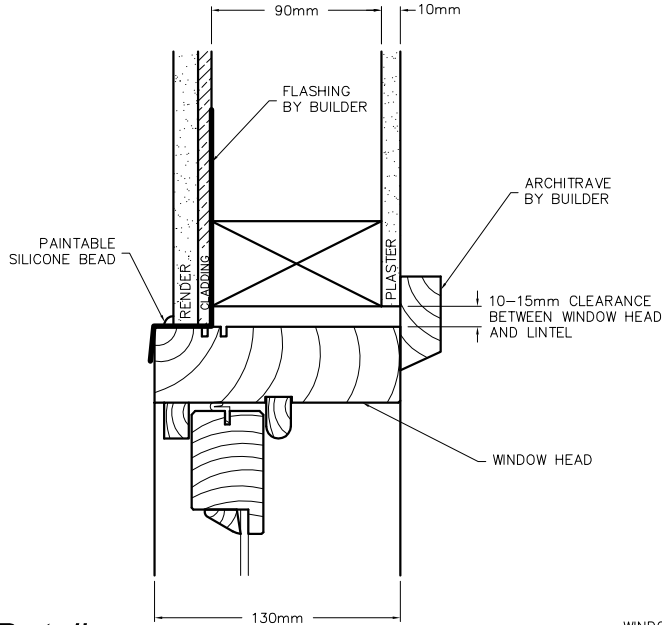
COUNTERBALANCE DOUBLE HUNG WINDOWS

BUILD IN DETAILS

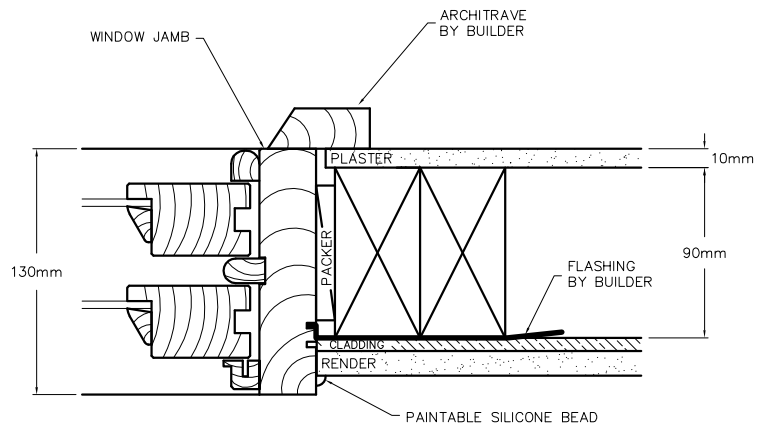
BLUEBOARD CLADDING WITH RENDER

130mm Allround Jamb

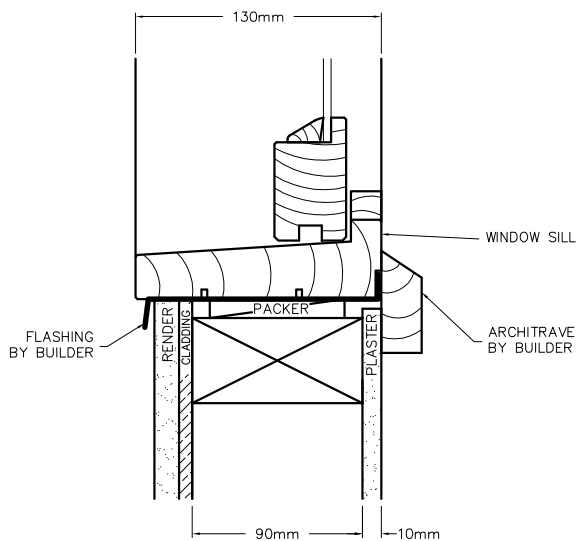
Typical Head, Sill and Jamb



Head Detail
BLUEBOARD CLADDING



Jamb Detail
BLUEBOARD CLADDING



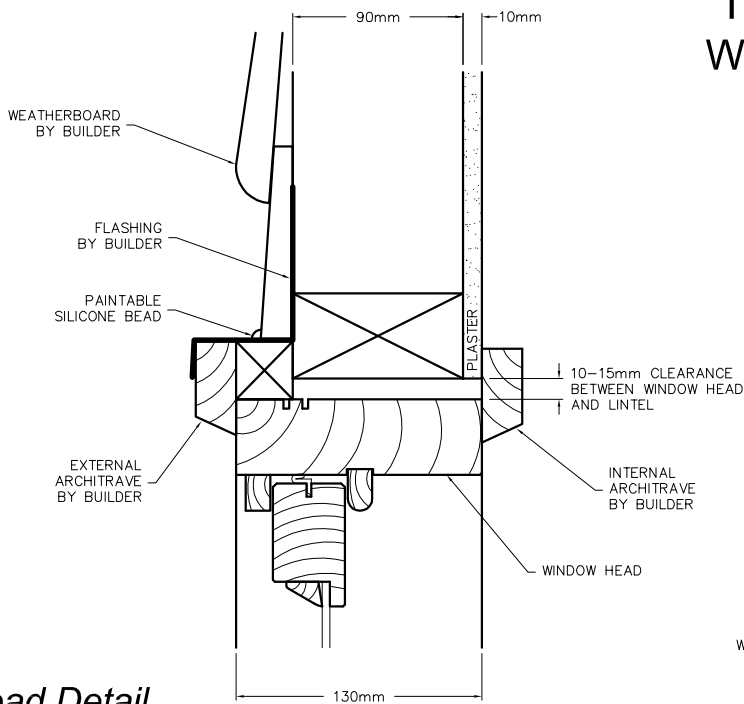
Sill Detail
BLUEBOARD CLADDING

COUNTERBALANCE DOUBLE HUNG WINDOWS

BUILD IN DETAILS

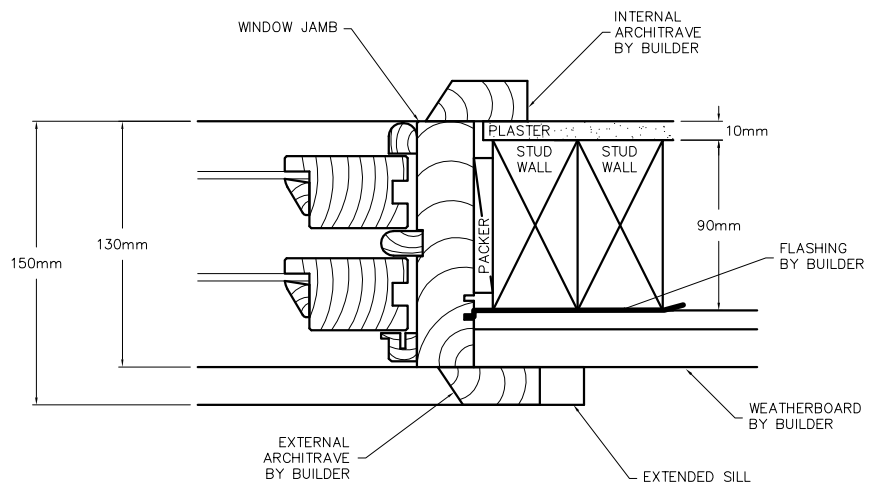
TRADITIONAL WEATHERBOARD WITH EXTERNAL ARCHITRAVES AND EXTENDED SILL 130mm Jamb/150mm Sill

Typical Head, Sill and Jamb



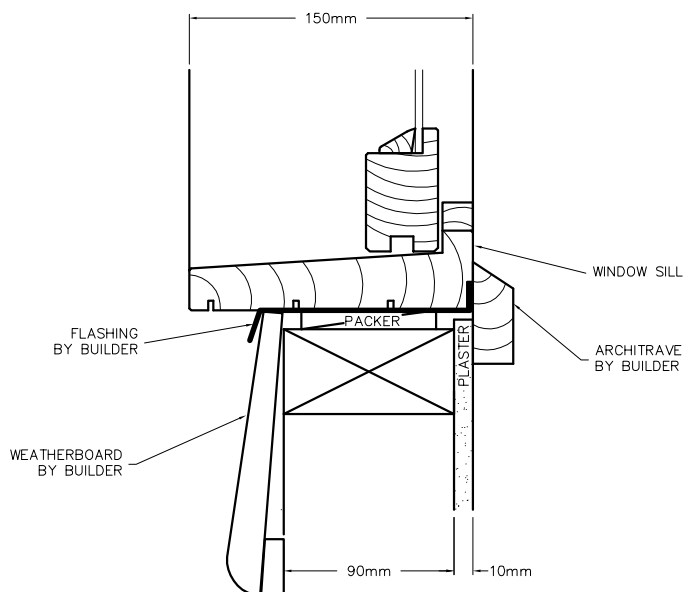
Head Detail

TRADITIONAL WEATHERBOARD



Jamb Detail

TRADITIONAL WEATHERBOARD



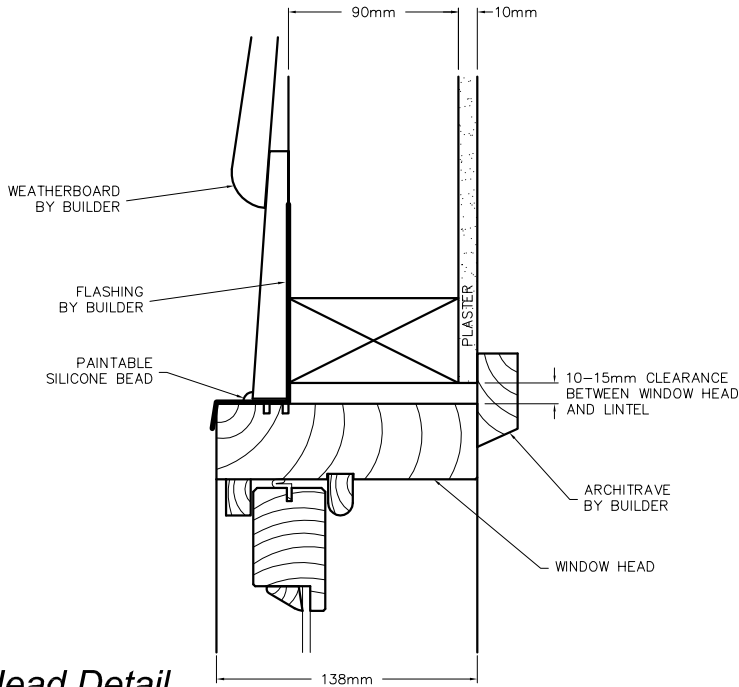
Sill Detail

TRADITIONAL WEATHERBOARD

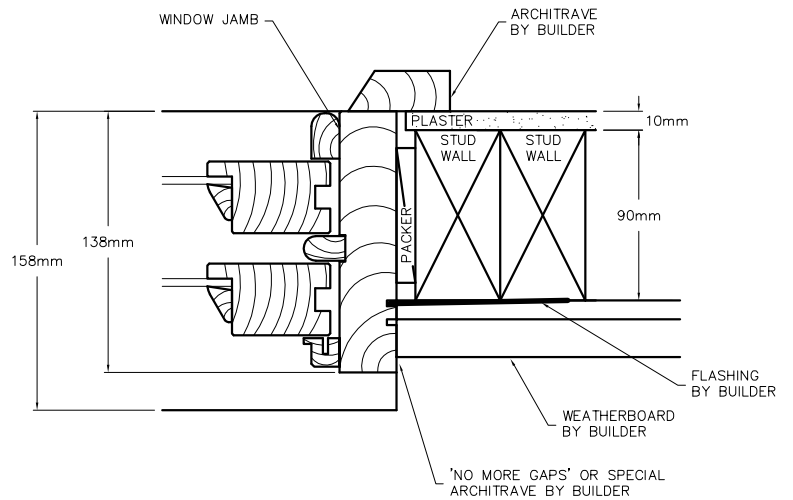
COUNTERBALANCE DOUBLE HUNG WINDOWS

BUILD IN DETAILS STANDARD WEATHERBOARD 138mm Jamb/158mm Sill

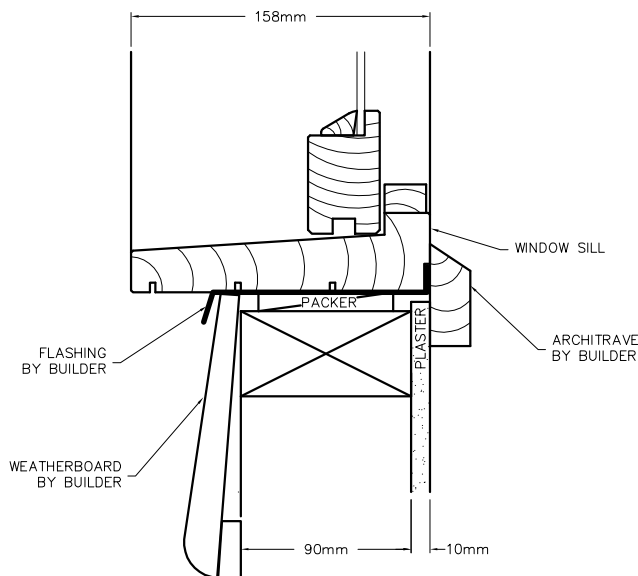
Typical Head, Sill and Jamb



Head Detail
STD. WEATHERBOARD



Jamb Detail
STD. WEATHERBOARD

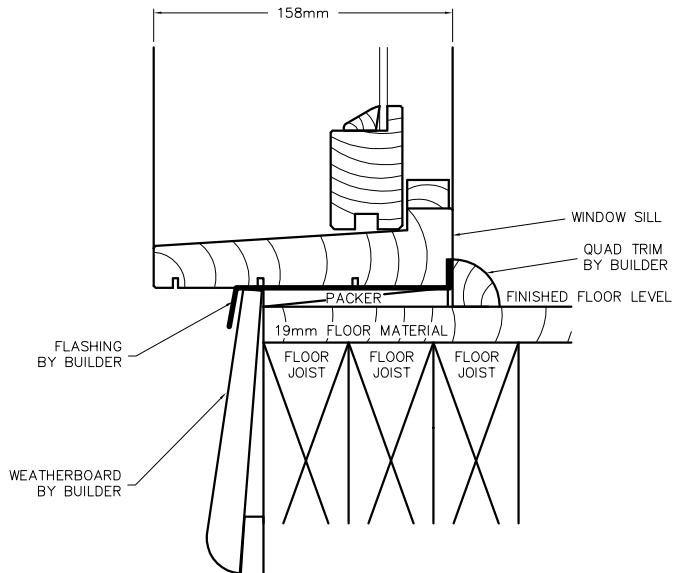


Sill Detail
STD. WEATHERBOARD

COUNTERBALANCE DOUBLE HUNG WINDOWS

BUILD IN DETAILS
STANDARD WEATHERBOARD
 138mm Jamb/158mm Sill

Alternative Sill Details

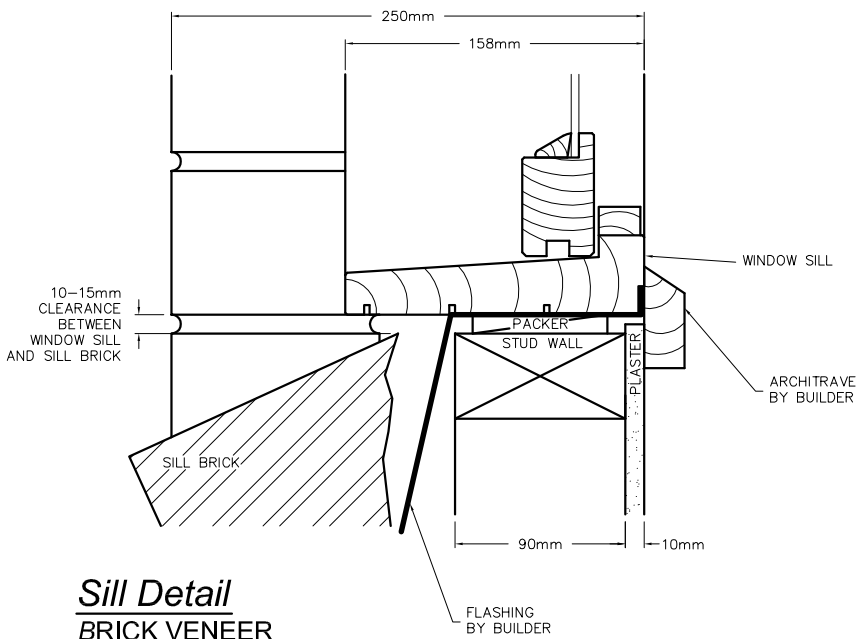
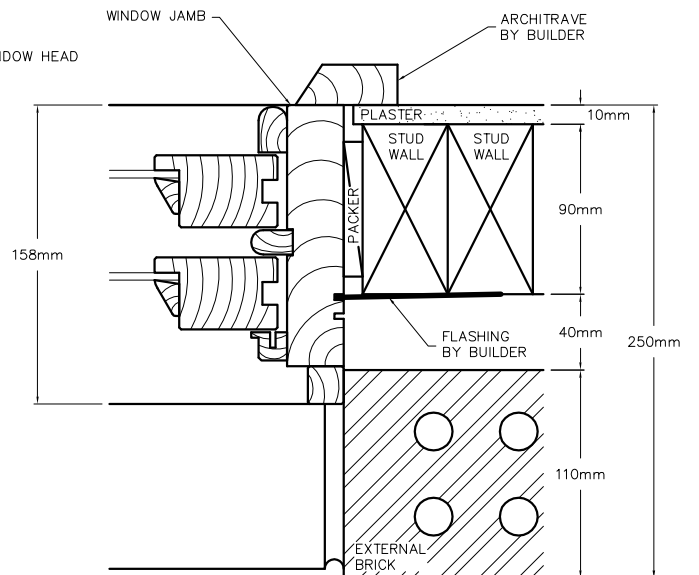
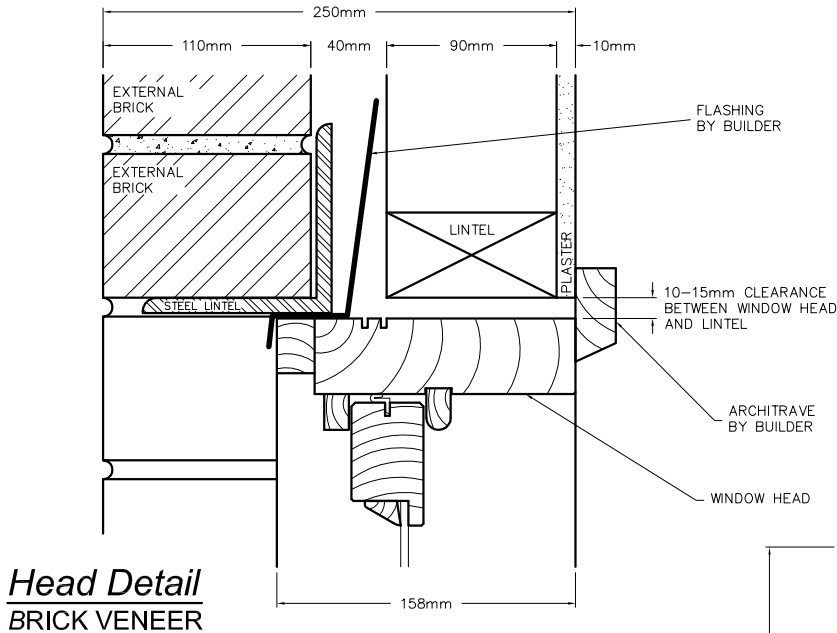


Floor Level Sill Detail
 STD. WEATHERBOARD

COUNTERBALANCE DOUBLE HUNG WINDOWS

BUILD IN DETAILS
BRICK VENEER
158mm Allround Jamb

Typical Head, Sill and Jamb

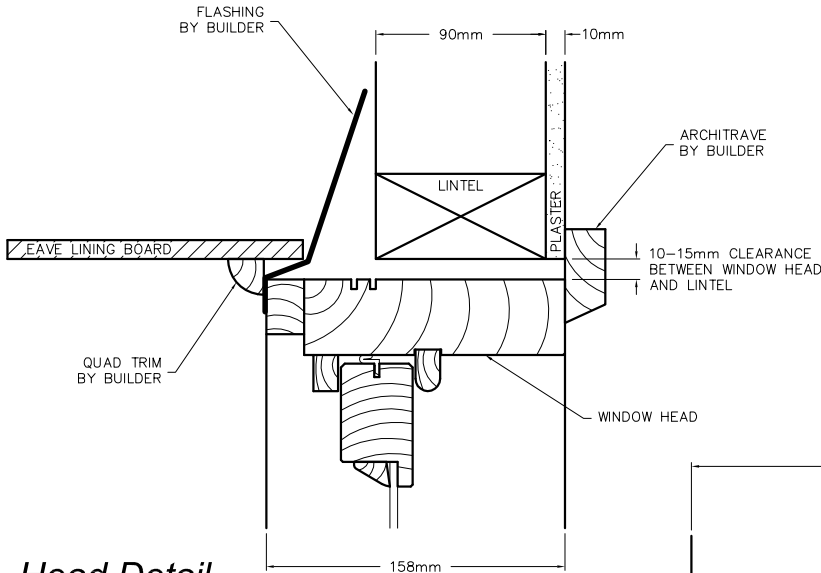


COUNTERBALANCE DOUBLE HUNG WINDOWS

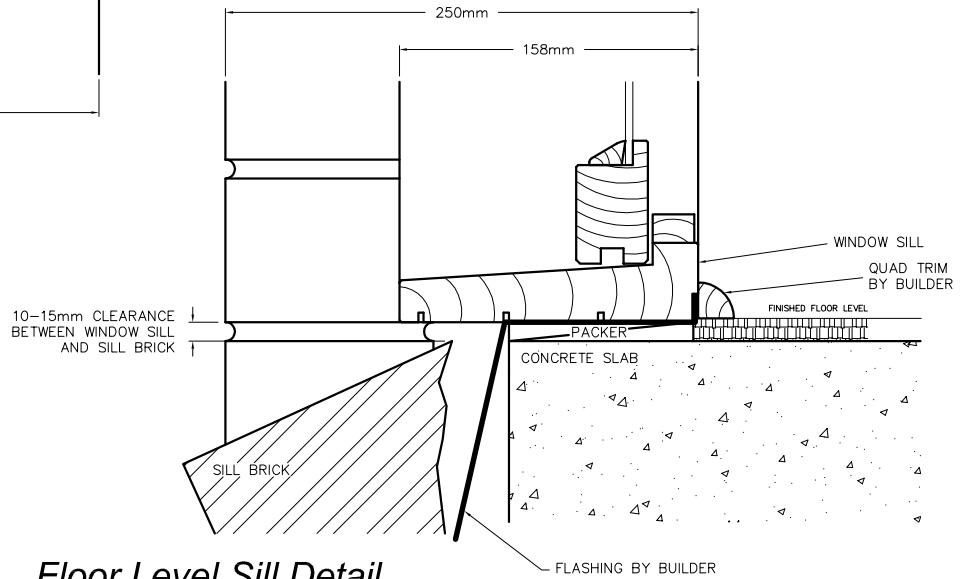
BUILD IN DETAILS
BRICK VENEER

158mm Allround Jamb

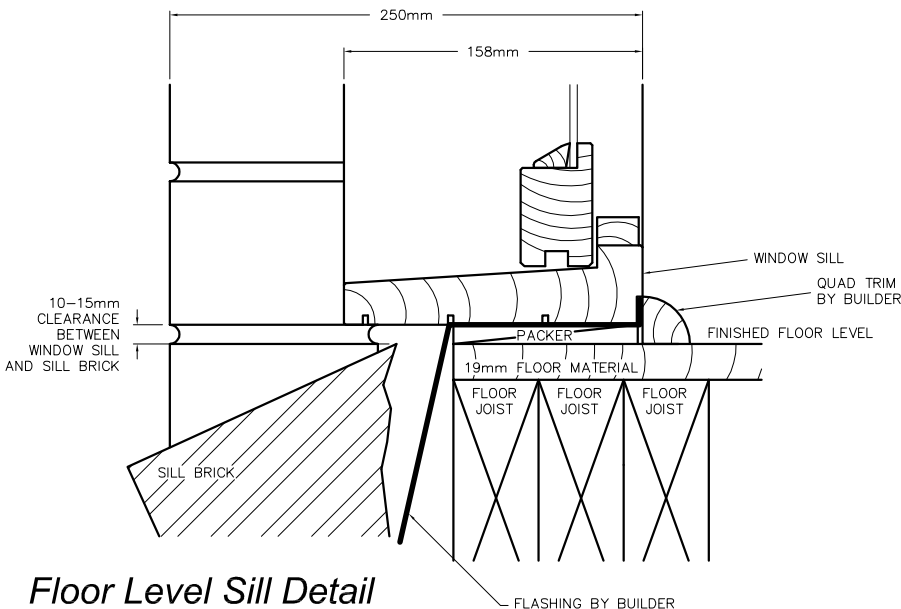
Alternative Head and Sill Details



Head Detail
UNDER EAVES



Floor Level Sill Detail
BRICK VENEER ON CONCRETE SLAB



Floor Level Sill Detail
BRICK VENEER WITH TIMBER FLOOR

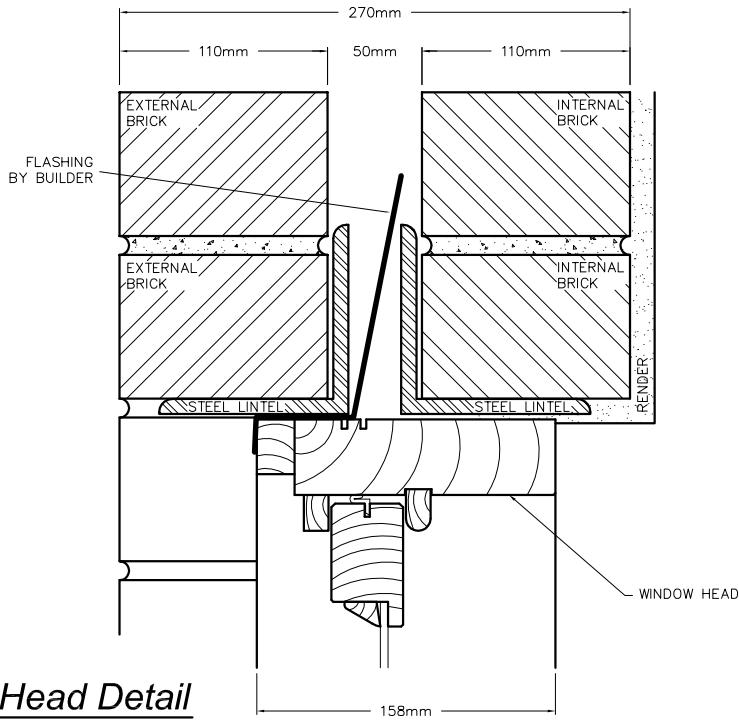
COUNTERBALANCE DOUBLE HUNG WINDOWS

BUILD IN DETAILS

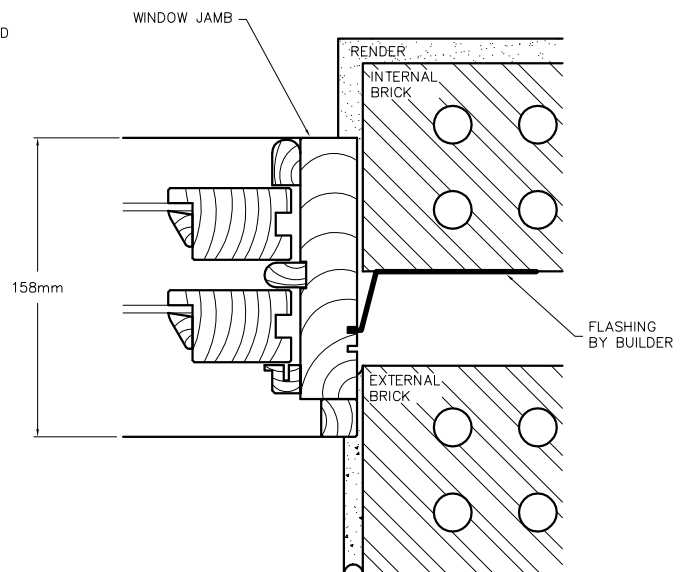
DOUBLE BRICK

158mm Allround Jamb

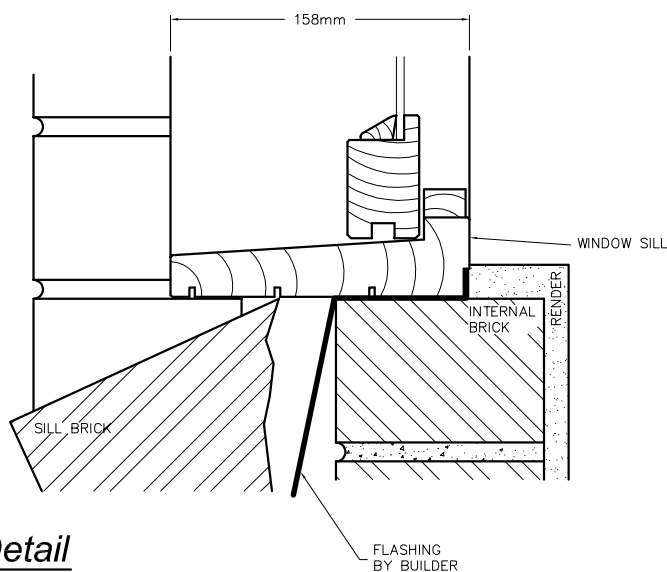
Typical Head, Sill and Jamb



Head Detail
DOUBLE BRICK



Jamb Detail
DOUBLE BRICK



Sill Detail
DOUBLE BRICK

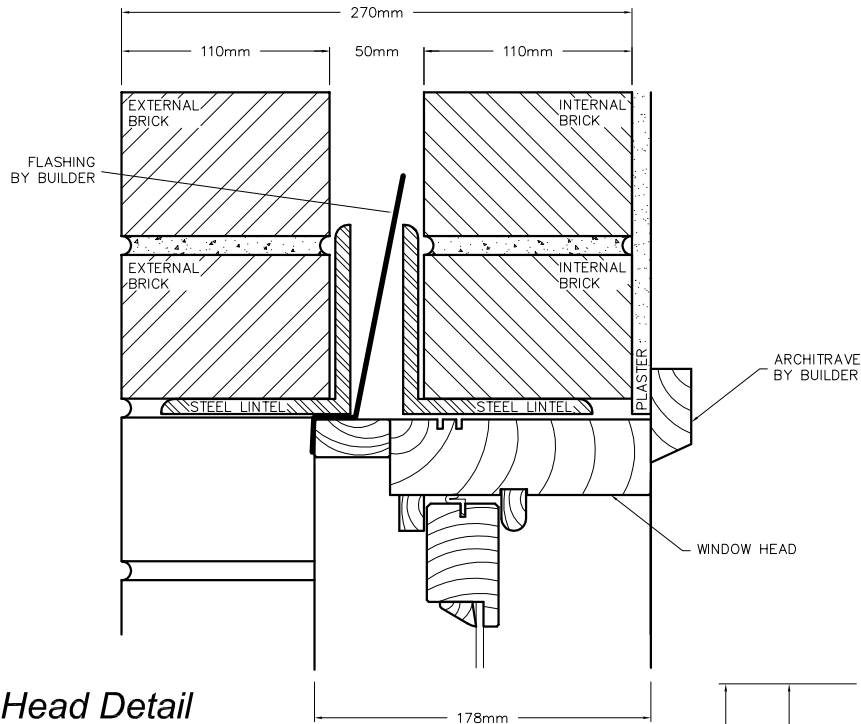
COUNTERBALANCE DOUBLE HUNG WINDOWS

BUILD IN DETAILS

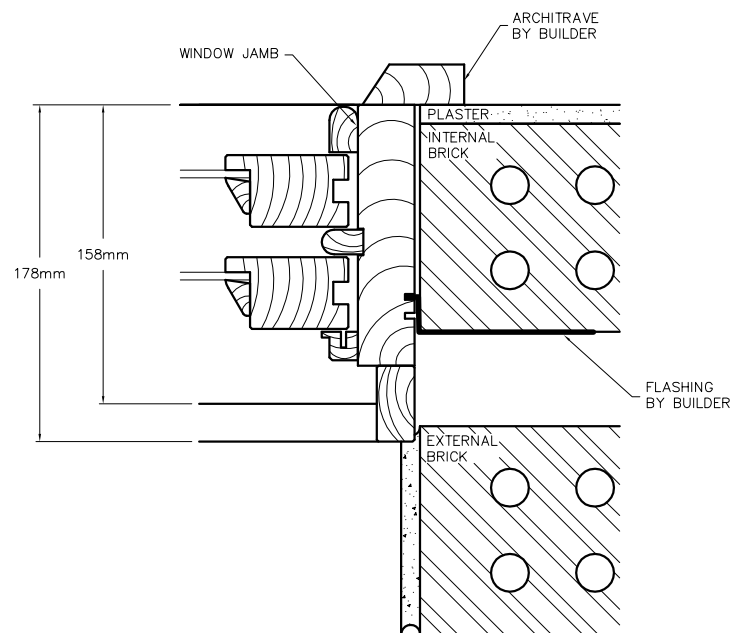
DOUBLE BRICK

178mm Jamb/158mm Sill

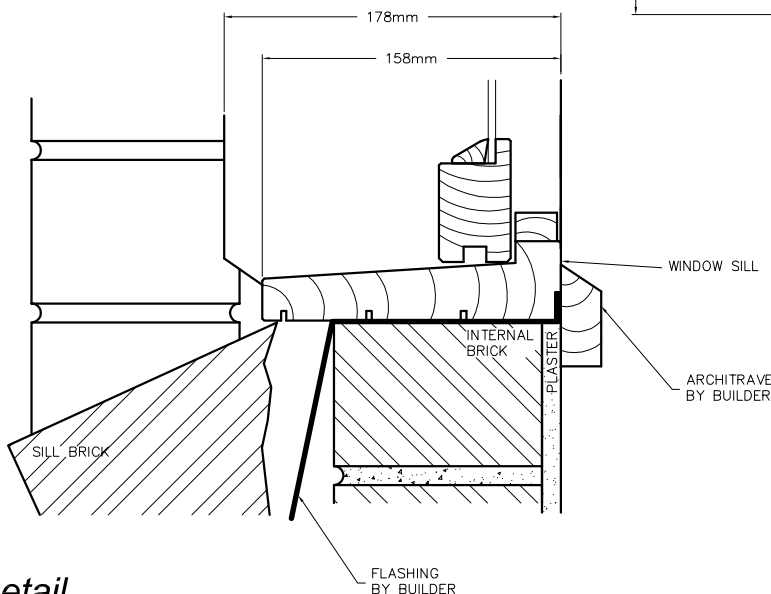
Typical Head, Sill and Jamb



Head Detail
DOUBLE BRICK



Jamb Detail
DOUBLE BRICK



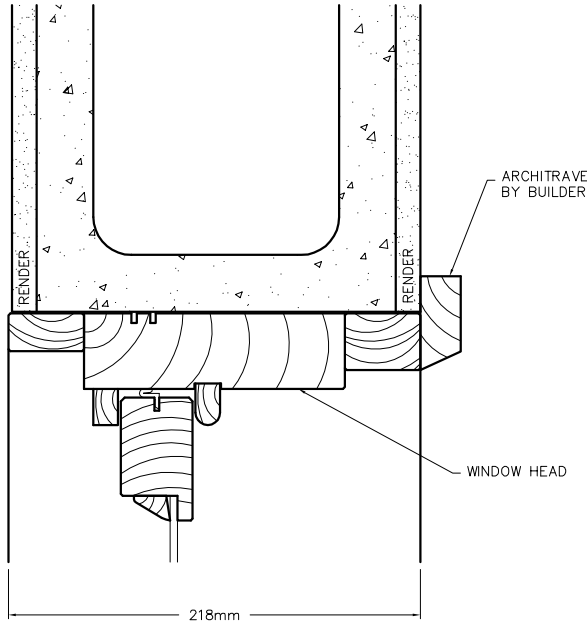
Sill Detail
DOUBLE BRICK

COUNTERBALANCE DOUBLE HUNG WINDOWS

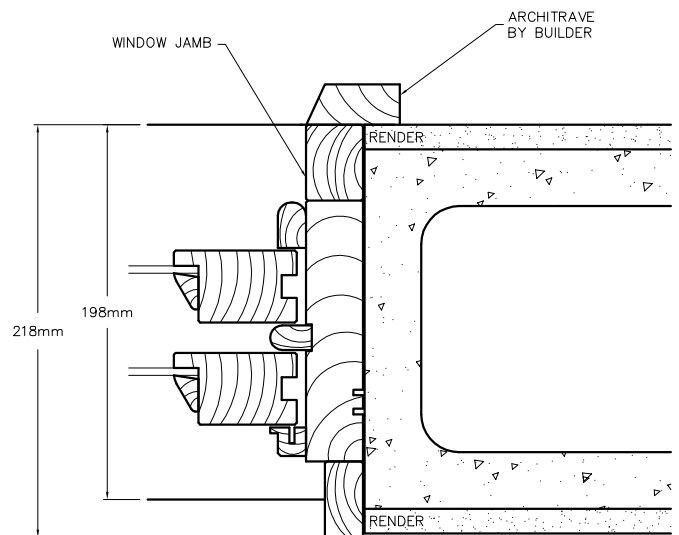
BUILD IN DETAILS BLOCKWORK

218mm Jamb/198mm Sill

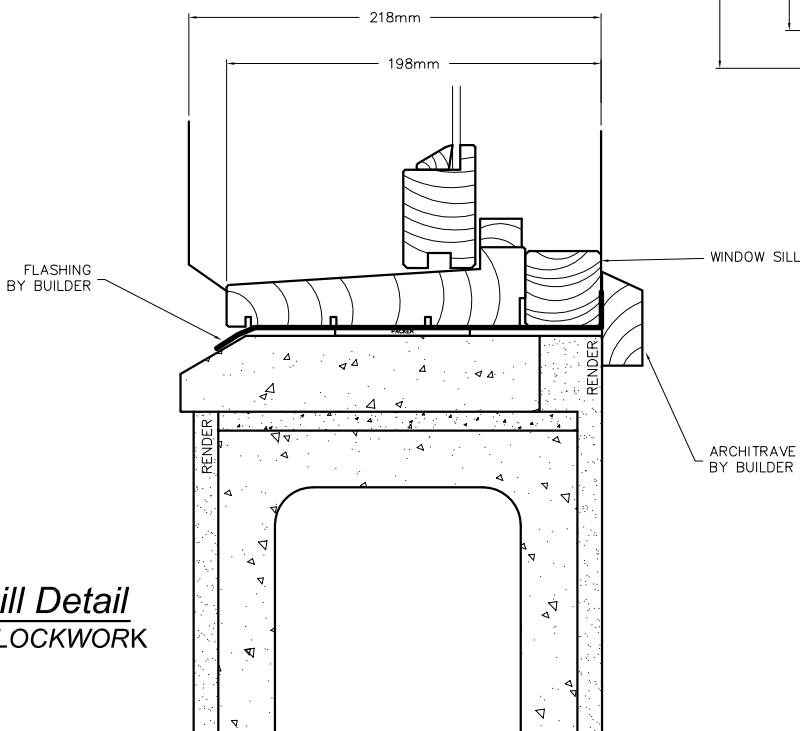
Typical Head, Sill and Jamb



Head Detail
BLOCKWORK



Jamb Detail
BLOCKWORK



Sill Detail
BLOCKWORK