

Care & Installation Instruction

Sliding Door Installation Instructions

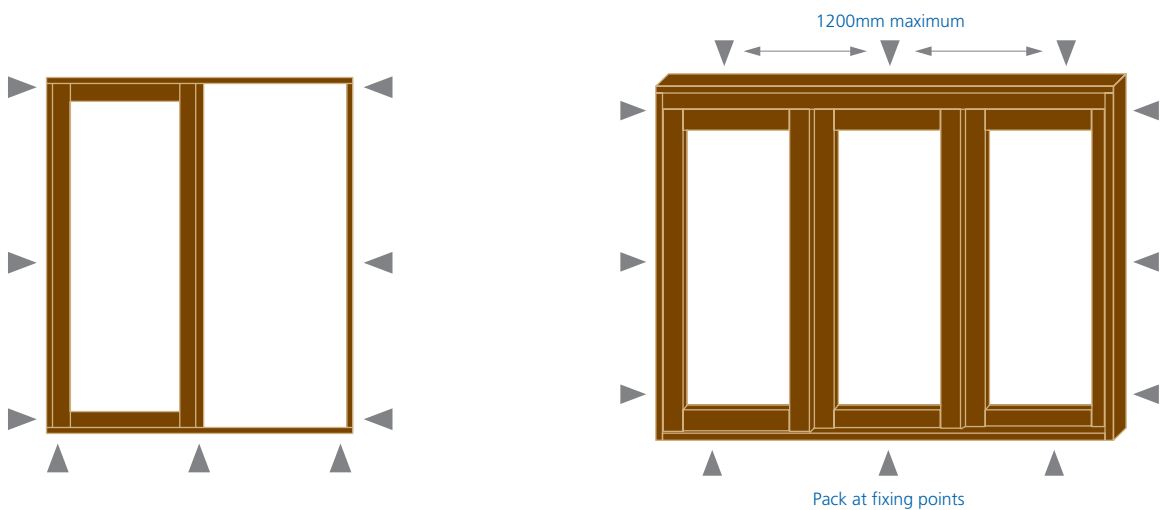
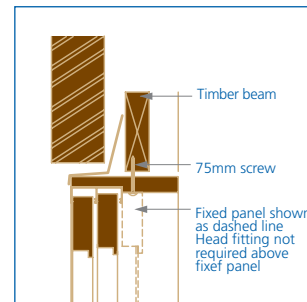
- 1 flashing to sills and, where required, to jambs and head.
- 2 The complete unit should be installed square.
- 3 Correctly pack all frame member joints without bowing.
- 4 Sill to be straight and levelled with packers under sill in line with frame members.
- 5 Allow a minimum of 10mm clearance between window sill and external sill bricks on brick veneer construction.
- 6 Frame to be secured by backnailing and packed accordingly. (Fixings through exposed timber should be hot dip galvanised steel, 300 series stainless steel or silicone bronze. Do not use uncoated steel fixings through timber or steel wool for dressing timber.)
- 7 Head to be straight and NOT load bearing.
- 8 Frame head clearance minimum 13mm. Plaster head and jamb clearance minimum 6mm.
- 9 Recheck that sill and head are straight and level before fixing architraves.
- 10 After installation remove racking braces where fitted.
- 11 Adjustment must be taken up by adjusting screws in the bottom of the door panel.
- 12 Striker plate must be adjusted.

Stacker Door Pre-Installation Instructions

- 1 A beam must be fitted above all Stacker Door units to allow the head of the Stacker to be screwed into it. Failure to screw the head to the beam will result in the Stacker Door head dropping and poor operation of the unit.

Stacker Door Installation Instructions

- 1 Fit flashing to sill and where required to jambs and head.
- 2 The complete unit must be installed square, plumb and level. The unit will not operate successfully with a bowed sill or a dropped head.
- 3 Fix the Stacker Door head to the beam as per illustrations below.
- 4 Frame to be secured by backnailing and packed accordingly. Fixings through exposed timber should be hot dip galvanised steel, 300 series stainless steel or silicone bronze. Do not use uncoated steel fixings or steel wool for dressing timber.



NOTE: AS2047 sets out requirements for installation of timber windows in buildings. It is the responsibility of the installer to properly adjust windows and doors as per instructions.